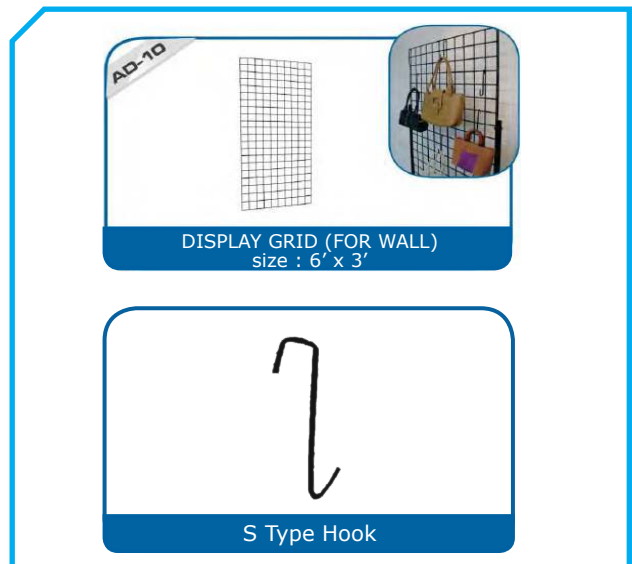
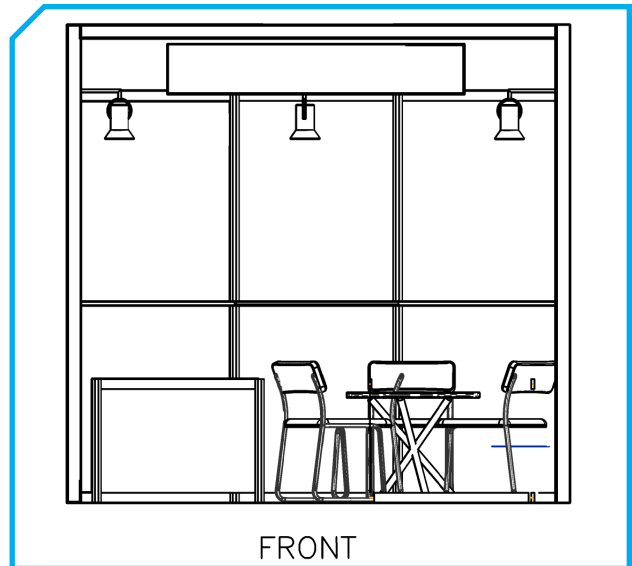
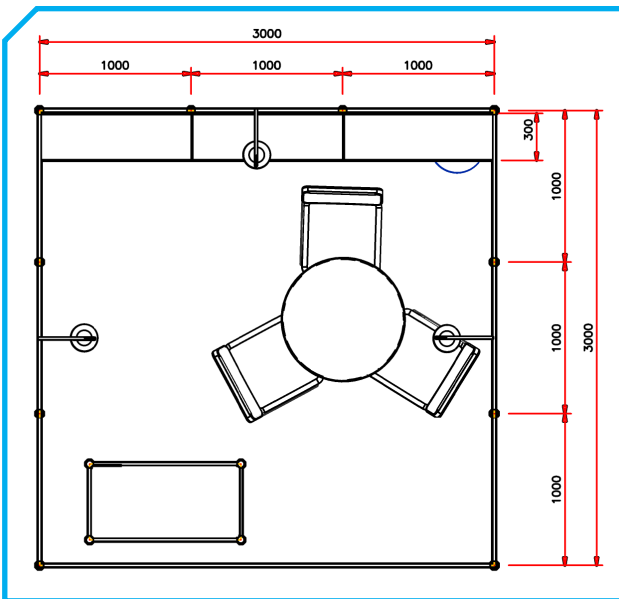
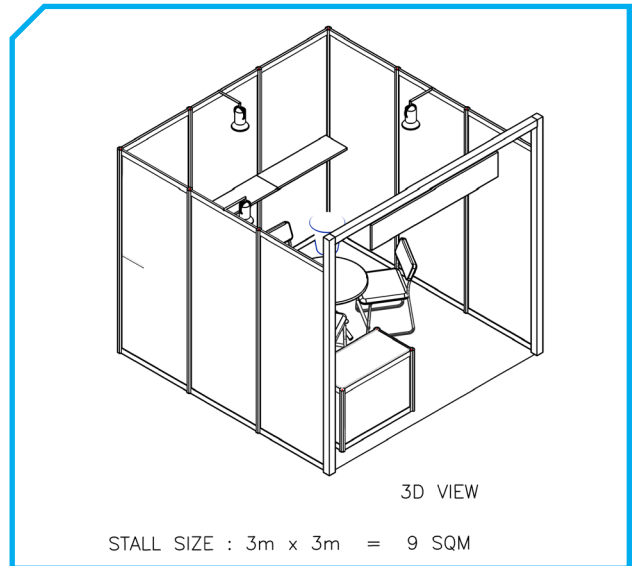
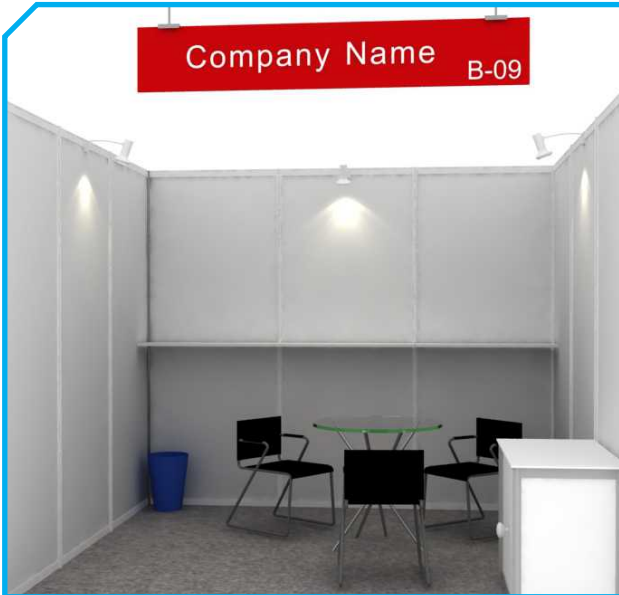


**Standard Booth Fitting (3m x 3m = 9 sqm) (Option 2)**



**Standard Booth Fittings**

Lockable cabinet	1
Round Table	1
Chairs	3
Spotlights	3
Shelves	0
Dustbin	1
Needle Punch Carpet	1
Fascia Name	1
Electric Socket	1 KW power supply
Display Grid	2
Hooks	20